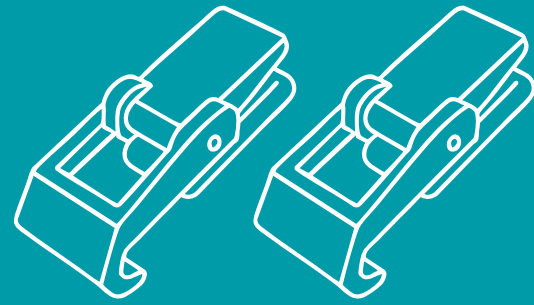
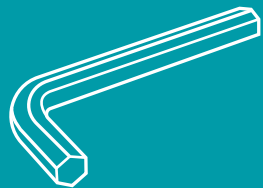


PIECES INCLUDED



2 Latches



1 Allen Key

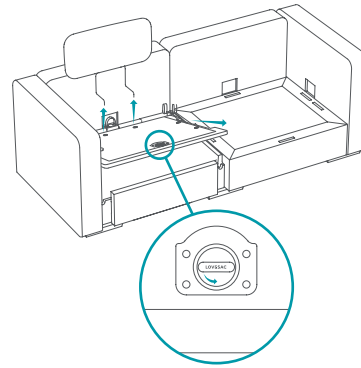


4 Screws

REPLACING YOUR RECLINING SEAT FRAME LATCHES

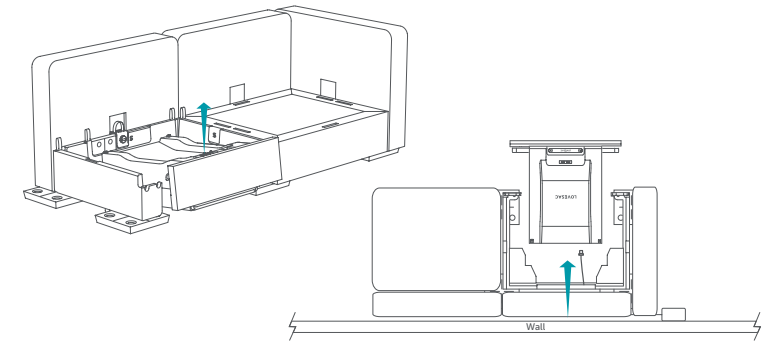
Note: If your Reclining Seat has not yet been assembled, skip to step 3

1 Remove Cushions, Backrest & Seat Frame Lid



- Unplug Reclining Seat from power source for safe disassembly.
- Remove Back Pillow, Reclining Seat Cushion, and Backrest.
- Turn lock at front of Seat Frame Lid and pull up to remove.
- Remove Reclining Seat Frame Support Bars.

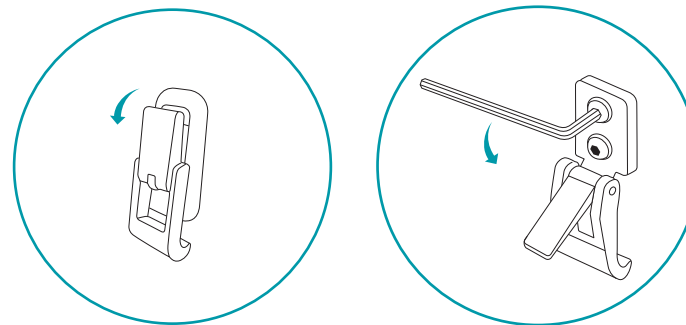
2 Remove Reclining Seat Mechanism



! Caution: Reclining Seat Mechanism is HEAVY. Use handle and wheel to move.

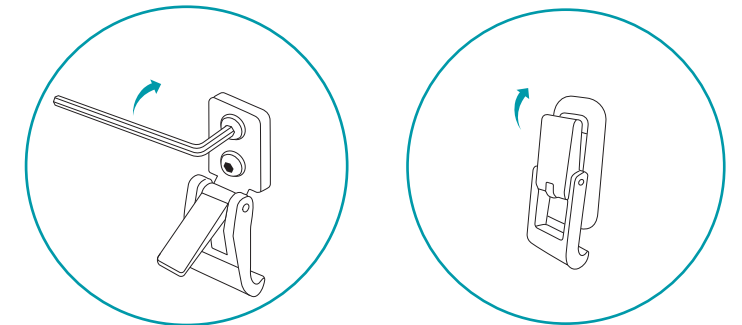
- Using teal handle, lift front of Reclining Seat Mechanism to undock from Reclining Seat Frame.
- Disconnect Power Cord from back of Reclining Seat Mechanism and wheel aside.

3 Remove original Latch



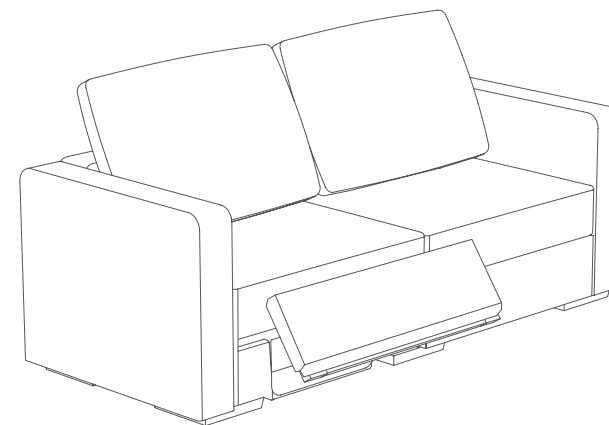
- Flip Latch lever down to access the Screws.
- Use included Allen Key to remove both screws.

4 Attach new Latch



- Align holes on replacement Latch with holes on Reclining Seat Frame. Latch lever should be on bottom.
- Use two new Screws to secure the Latch to Reclining Seat Frame. Tighten them firmly using the Allen Key.
- Flip Latch lever to lock the Latch to Reclining Seat Frame.

5 Reassembly of Reclining Seat



- Follow Reclining Seat Setup Guide from Step 5.1 for reassembly.

[Click here for complete Reclining Seat Setup Guide](#)