

LOVESAC[®]

Designed for Life Furniture Co.



EVERCOUCH[™]

LOVESEAT

SETUP GUIDE

Table Of Contents

SAFETY INSTRUCTIONS	3
PIECES INCLUDED	4
SETUP	
UNBOXING & COVERING	6
INSTALLING FEET	9
CONNECTING ARMS	10
INSTALLING STORAGE SLING AND SUSPENSION LID	12
PLACING SEAT CUSHIONS & BACK PILLOWS	15

Important Safety Instructions

READ ALL INSTRUCTIONS BEFORE USING THIS PRODUCT.

WARNING

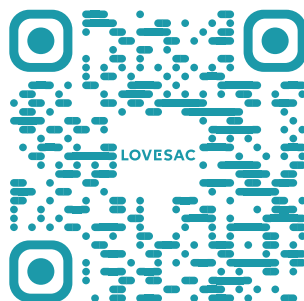
- This product is not intended or suitable as a toy chest.
- Do not allow children to play in the storage compartment as there is a risk of suffocation.
- Do not leave an infant or child unattended to prevent a suffocation hazard.
- Metal Pin and Thumb Screw are choking hazards.
- Metal Pin is not a toy. Keep away from children as it can cause serious injury.
- Open and close the Suspension Lid slowly to avoid pinching your hands and fingers.
- Keep hands and fingers away from the Slow-Close Mechanism when opening and closing the Suspension Lid to avoid a pinching and crushing hazard.

CAUTION

- Indoor residential household use only.
- Please ensure all components are attached securely before use.
- Total weight of the assembled product is approximately 203 lbs. Please use caution and appropriate lifting techniques when moving the EverCouch to prevent injuries.
- Make sure the Slow-Close Mechanism is always attached to the Suspension Lid for soft closure to minimize injury. Replace the Slow-Close Mechanism immediately if broken or missing components.

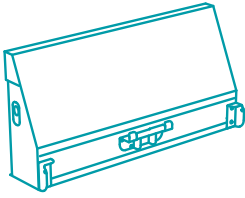
Read and understand all the safety instructions before using this product. If you have any questions about these products, their installation, or their operation, please contact the Lovesac Customer Love Team at 1-888-636-1223 or support@lovesac.com. You can also visit www.lovesac.com for additional resources.

Scan for setup videos & additional troubleshooting resources:

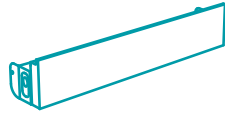


Pieces Included

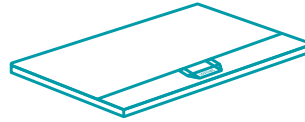
SEAT FRAME INSERT SET BOX



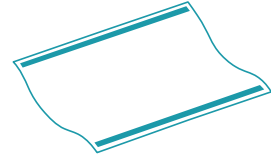
Back



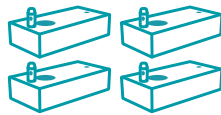
Beam



Suspension Lid



Storage Sling



4 Feet



16 Felt Pads



4 Pins

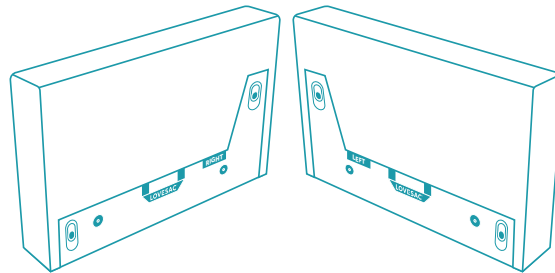


4 Thumb Screws



1 Slow-Close Mechanism

ARM INSERT SET BOX *(You'll receive the Arm style that you've purchased)*



2 Arms

CUSHION INSERT SET BOX



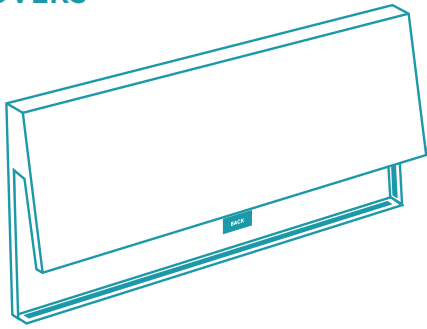
Seat Cushion



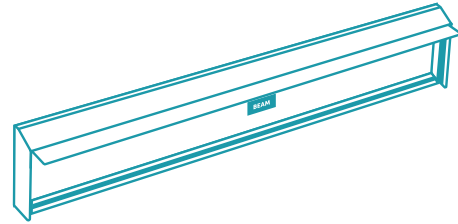
Back Pillow

Pieces Included

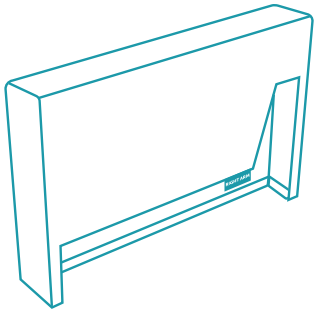
COVERS



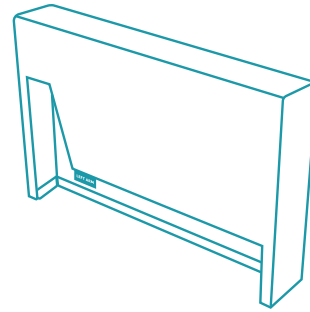
1 Back Cover



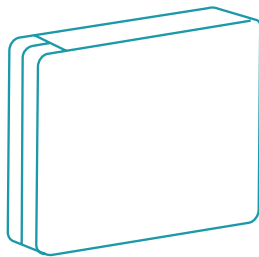
1 Beam Cover



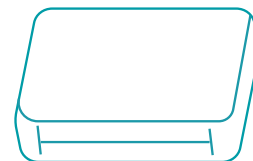
1 Right Arm Cover



1 Left Arm Cover



2 Seat Cushion Covers



2 Back Pillow Covers

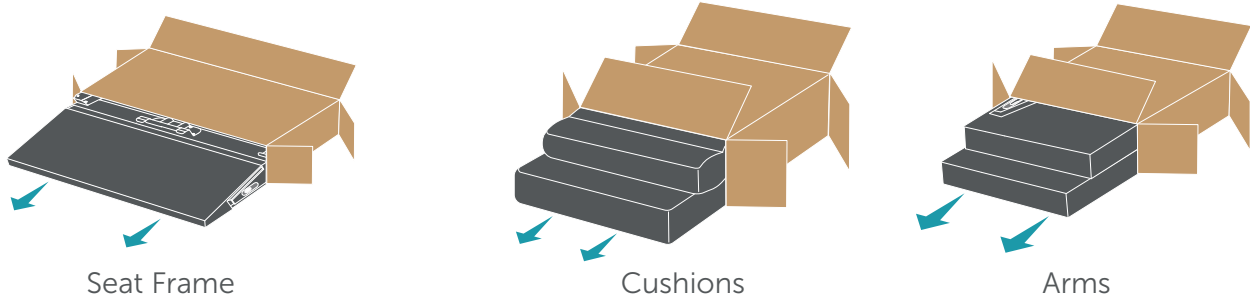
Setup

STEP 1 Unbox all parts

1.1 Unbox Components

Note: Protective strips placed over hook and loop strips on Inserts. Remove prior to securing Covers.

a. Carefully unbox all components. Open both ends of all packaging for easy removal.



1.2 Save or Recycle Cardboard Boxes

a. Flatten cardboard boxes for future use or please recycle them.

b. Please save your shipping materials during your home trial to expedite returns and reduce waste.



STEP 2 Cover all Inserts

2.1 Cover Beam

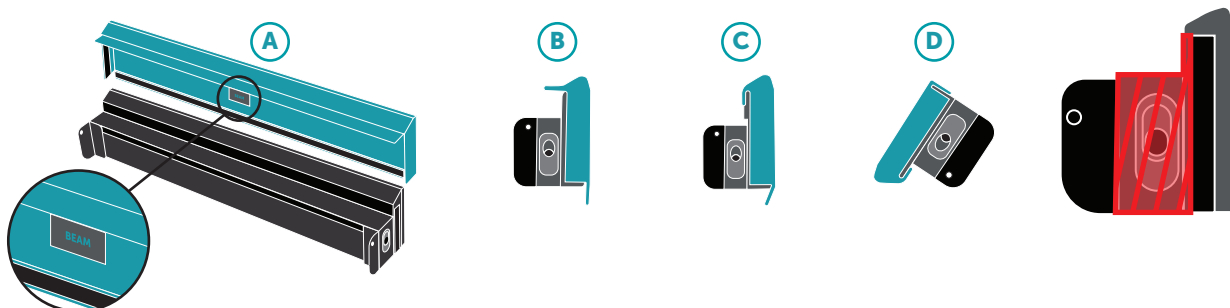
Important: Cover must avoid overlapping onto connection zone (highlighted below in red) or EverCouch will not assemble properly.

a. Locate Cover labeled "Beam".

b. With shorter side of Cover facing Beam brackets, align top four corners and pull Cover over Beam ensuring seams are aligned.

c. Secure hook and loop strips on sides first, then attach hook and loop strips on top.

d. Flip Beam over to secure hook and loop strips on bottom.

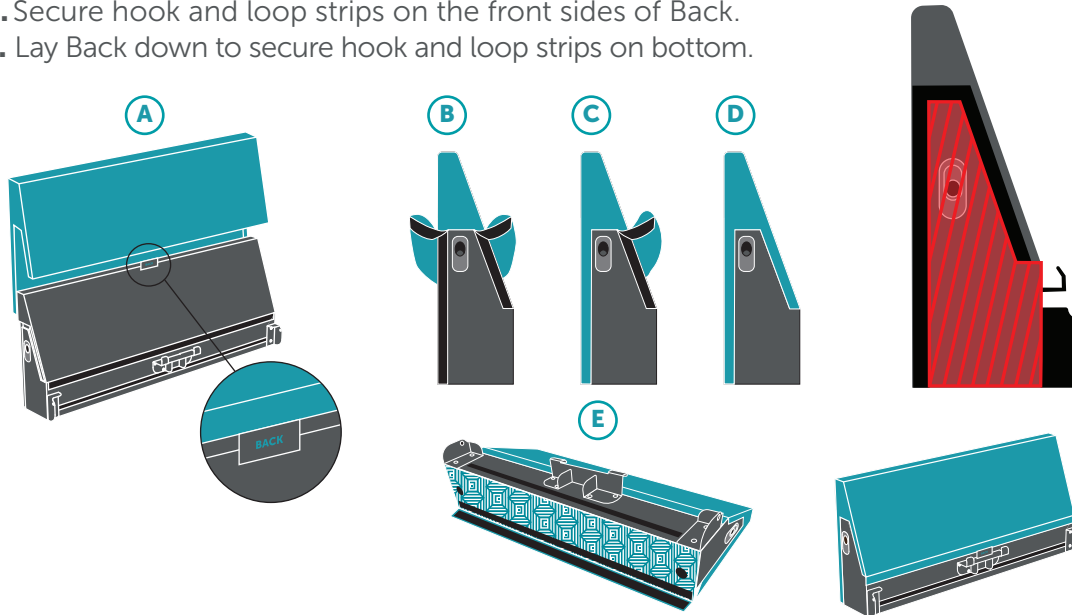


Setup

2.2 Cover Back

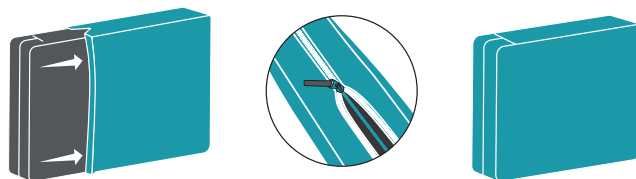
Important: Cover must avoid overlapping onto connection zone (highlighted below in red) or EverCouch will not assemble properly.

- Locate Cover labeled "Back."
- With the shorter side of Cover facing Back brackets, align top four corners and pull Cover over Back ensuring seams are aligned.
- Secure hook and loop strips on the rear sides of the Back.
- Secure hook and loop strips on the front sides of Back.
- Lay Back down to secure hook and loop strips on bottom.



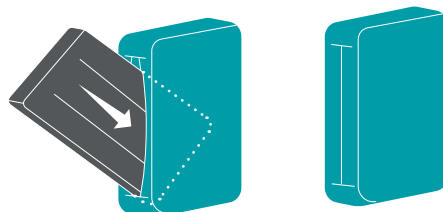
2.3 Cover Seat Cushions

- Position Cover over the Seat Cushion, ensuring Insert and Cover zippers are on the same side and that seams and edges are aligned.
- Locate zipper on the back of the Cover. Carefully zip closed, ensuring fabric remains smooth and wrinkle-free. Tuck zipper pull in pocket.



2.4 Cover Back Pillows

- Insert Back Pillow into Back Pillow Cover, ensuring all labels are at the bottom.

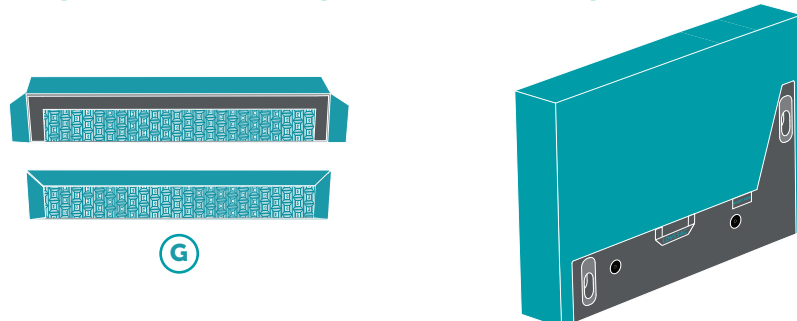
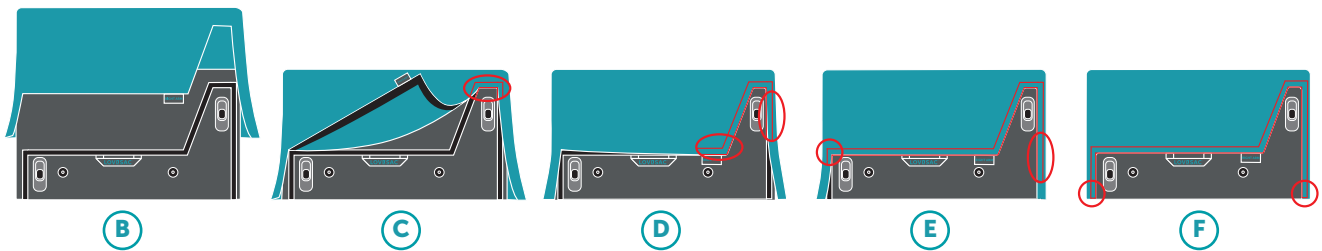
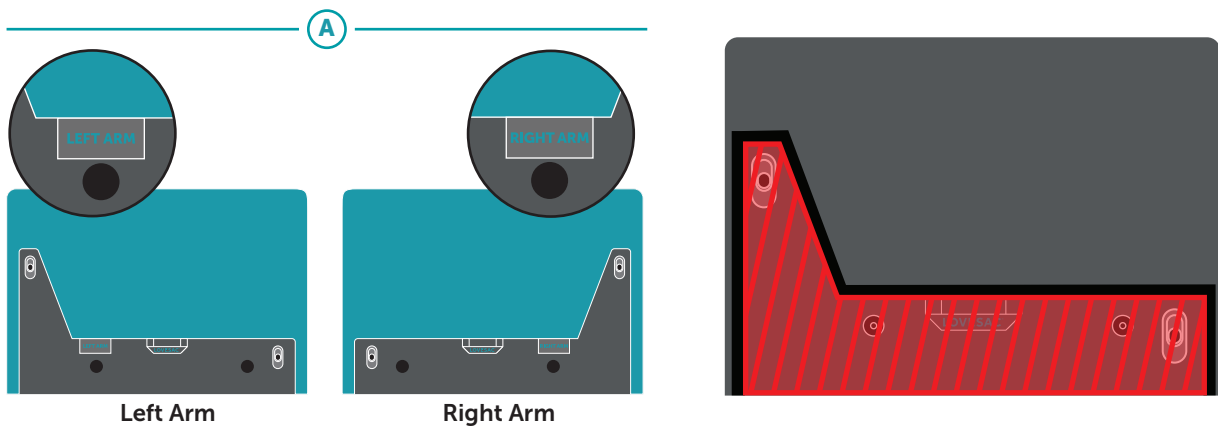


Setup

2.5 Cover Arms

Important: Cover must avoid overlapping onto connection zone (highlighted below in red) or EverCouch will not assemble properly.

- Locate Covers labeled "Right Arm" and "Left Arm". Match Cover labels with labels on Arm Inserts.
- Align top four corners and pull Cover over Arm, ensuring top is tight.
- Secure Cover using hook and loop strips starting at the top of the Arm, ensuring Cover does not extend onto connection zone.
- Continue to secure hook and loop strips down the Arm aligning corners and edges.
- Align corners of the Cover and hook and loop strips ensuring all seams are straight.
- Secure ends of Cover
- Flip Arm over to secure Cover to the bottom. Pull Cover tight to align seams and edges.

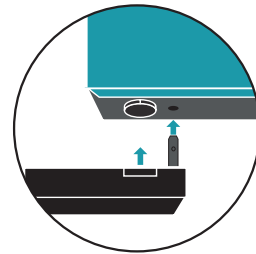
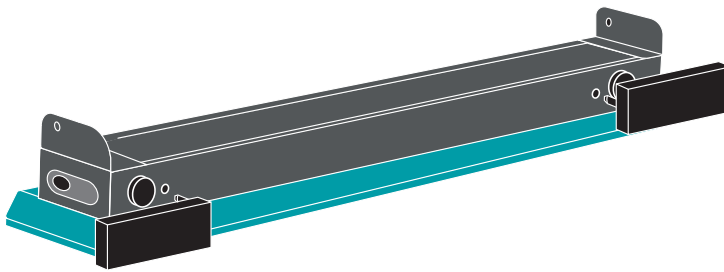


Setup

STEP 3 Install Feet

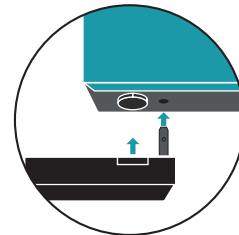
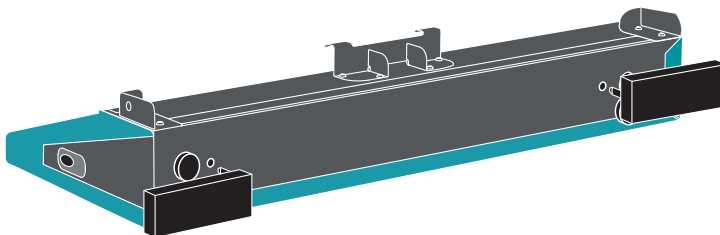
3.1 Install Feet on Beam

- a. Lay Beam flat on the ground.
- b. Partially insert the pin (connected to the top of the Foot) in one of the holes on the bottom of the Beam.
- c. Align hole on Foot with Foot Peg located on the bottom of the Beam and press to fully secure.
- d. Repeat Steps **b** and **c** so both Feet are installed. Add felt pads as needed.



3.2 Install Feet on Back

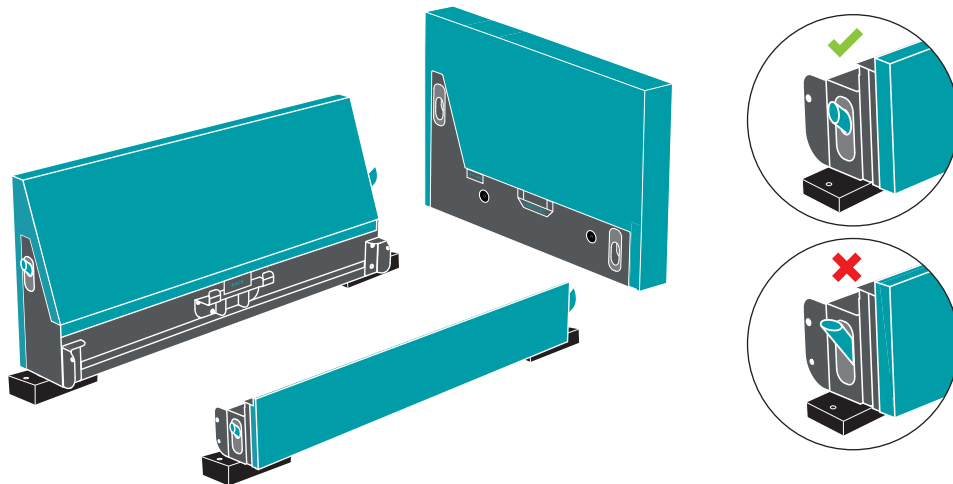
- a. Lay Back flat on the ground.
- b. Partially insert the pin (connected to the top of the Foot) into one of the holes on the bottom of the Back.
- c. Align hole on Foot with Foot Peg located on the bottom of the Back and press to secure.
- d. Repeat Steps **b** and **c** so both Feet are installed. Add felt pads as needed.



STEP 4 Connect Arms

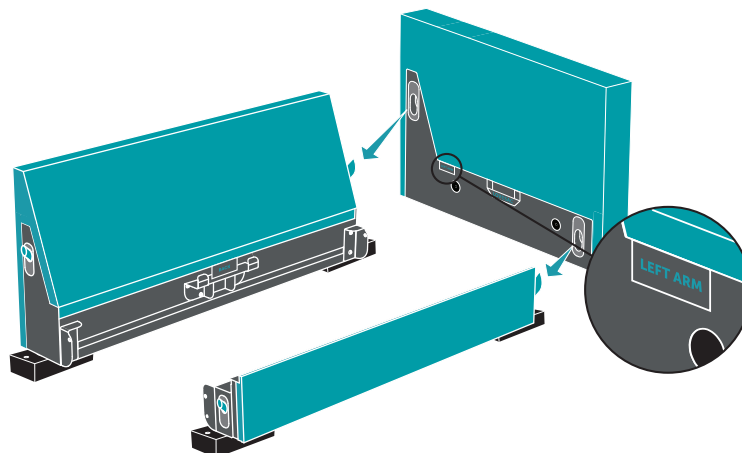
4.1 Insert Steel Pins

- Place Beam and Back parallel to each other, using Arm length to ensure correct spacing between them.
- Insert Steel Pin into four sockets, one located on each side of the Beam, and one located on each side of the Back. Reference image below for correct orientation.



4.2 Connect Left Arm

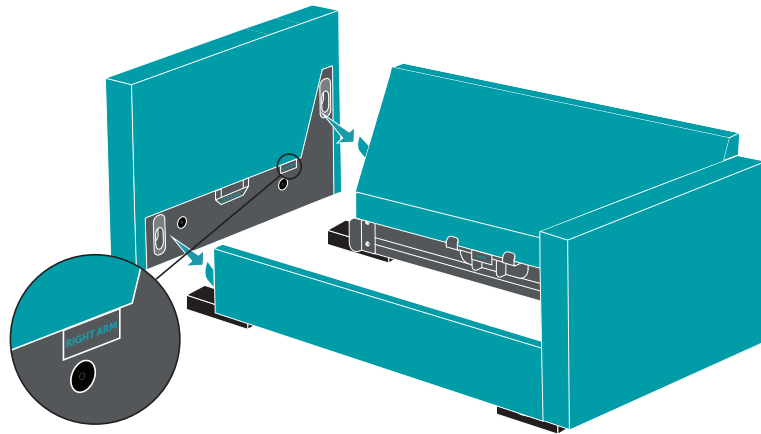
- Locate Arm labeled "LEFT ARM"
- Determine the left side of your EverCouch by identifying your left as if you were seated.
- Line up sockets on left Arm with Steel Pins located on left side of Beam and Back.
- Slide into place.



Setup

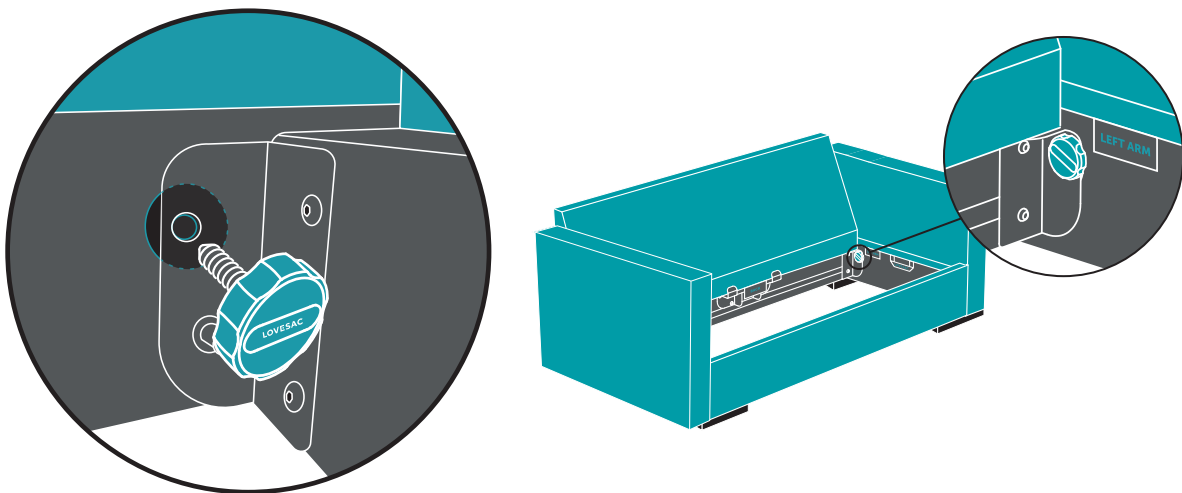
4.3 Connect Right Arm

- a. Locate Arm labeled "RIGHT ARM"
- b. Determine the right side of your EverCouch by identifying your right as if you were seated.
- c. Line up sockets on right Arm with the pins located on right side of Beam and Back.
- d. Slide into place.



4.4 Secure with Thumb Screws

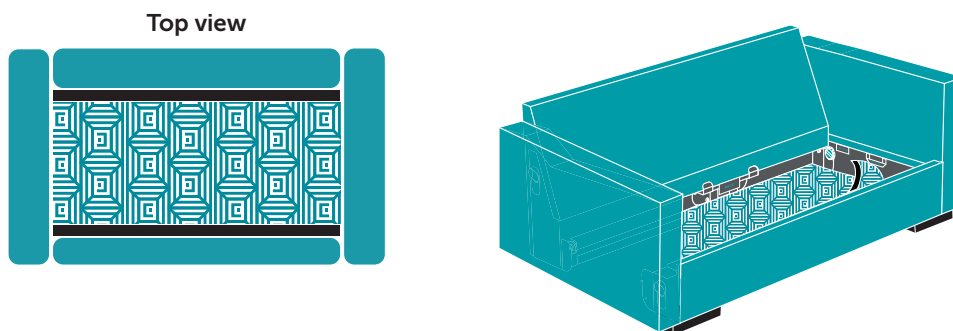
- a. Shift pieces as needed to ensure the holes in corner brackets are aligned with Thumb Screw holes on all four corners.
- b. Insert and tighten Thumb Screws into each corner bracket inside of Seat Frame (four total).



STEP 5 Install Storage Sling (Optional)

5.1 Storage Sling

- Unfold Storage Sling and lay inside of Seat Frame.
- Align pair of hook and loop strips on Storage Sling and Back, pressing to secure.
- Align pair of hook and loop strips on Storage Sling and Beam, pressing to secure.

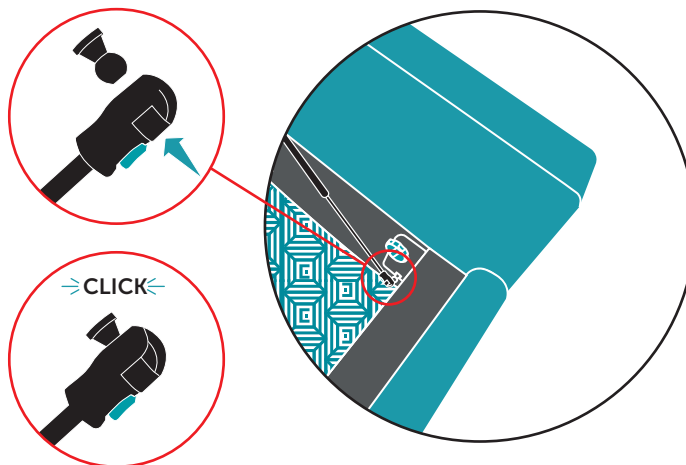


STEP 6 Connect Suspension Lid

DO NOT SKIP THIS STEP

6.1 Install Slow-Close Mechanism

- Attach socket on thin end of Slow-Close Mechanism to peg on Beam corner bracket by applying firm pressure until it clicks into place.
- Rest other end of Slow-Close Mechanism on Storage Sling until Step 6.3.

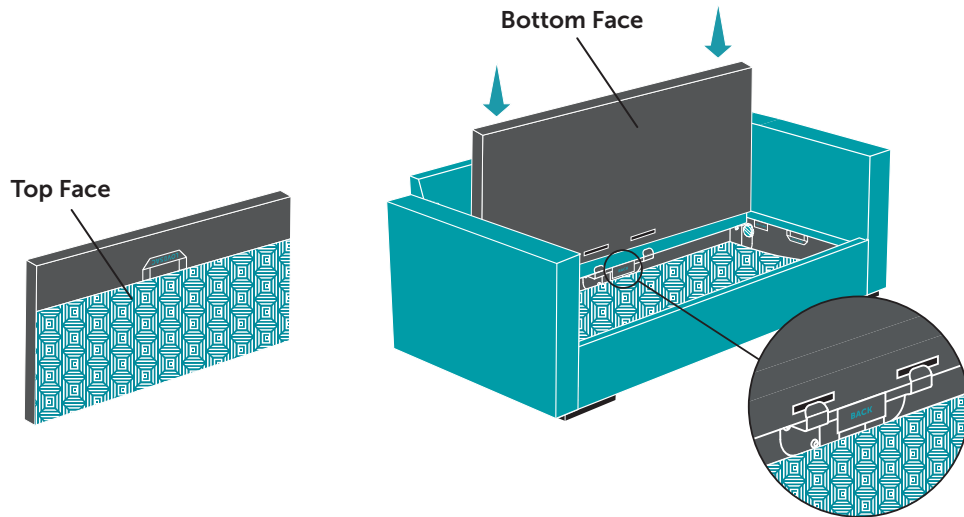


***Note: It's easier to install the Suspension Lid with two people.**

Setup

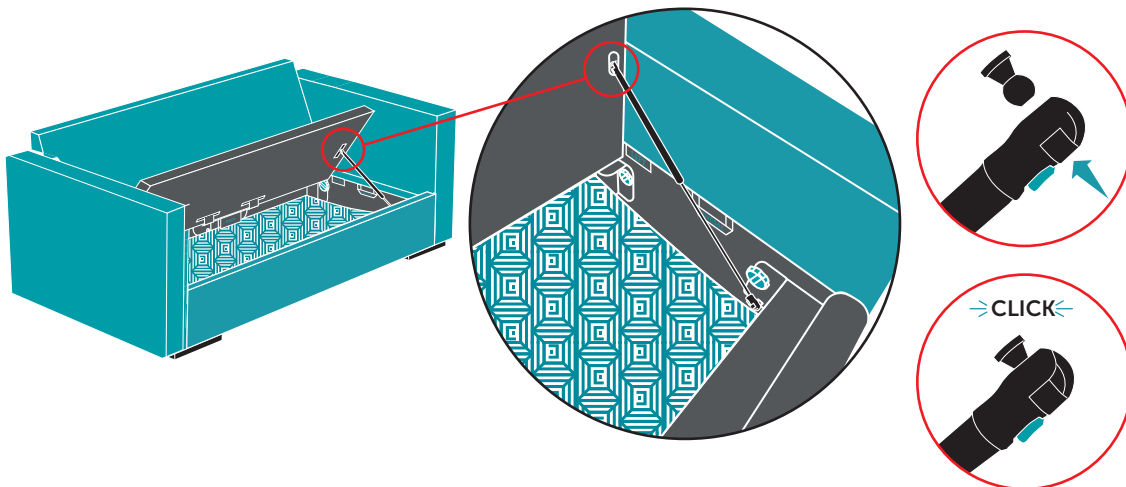
6.2 Slide Suspension Lid into Brackets

- a. Locate handle on Suspension Lid, carefully lift Suspension Lid into a vertical position.
- b. Slide the Suspension Lid into the hooks to secure.



6.3 Attach Slow-Close Mechanism to Suspension Lid

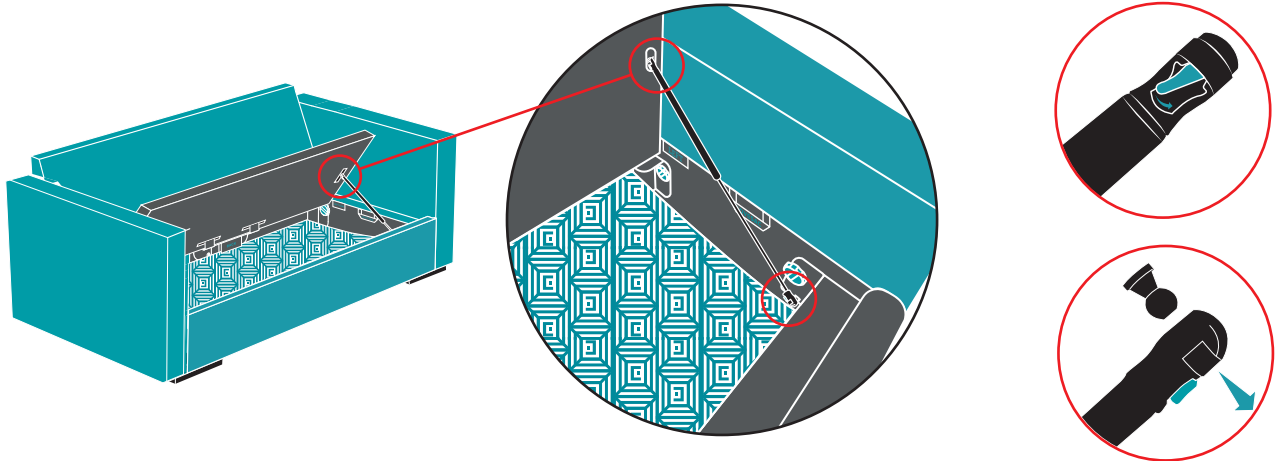
- a. Attach the thick end of Slow-Close Mechanism to the peg on the bottom of the Suspension Lid by applying firm pressure until it clicks into place.
- b. Close Suspension Lid.



FOR DISASSEMBLY ONLY

Removing Slow-Close Mechanism

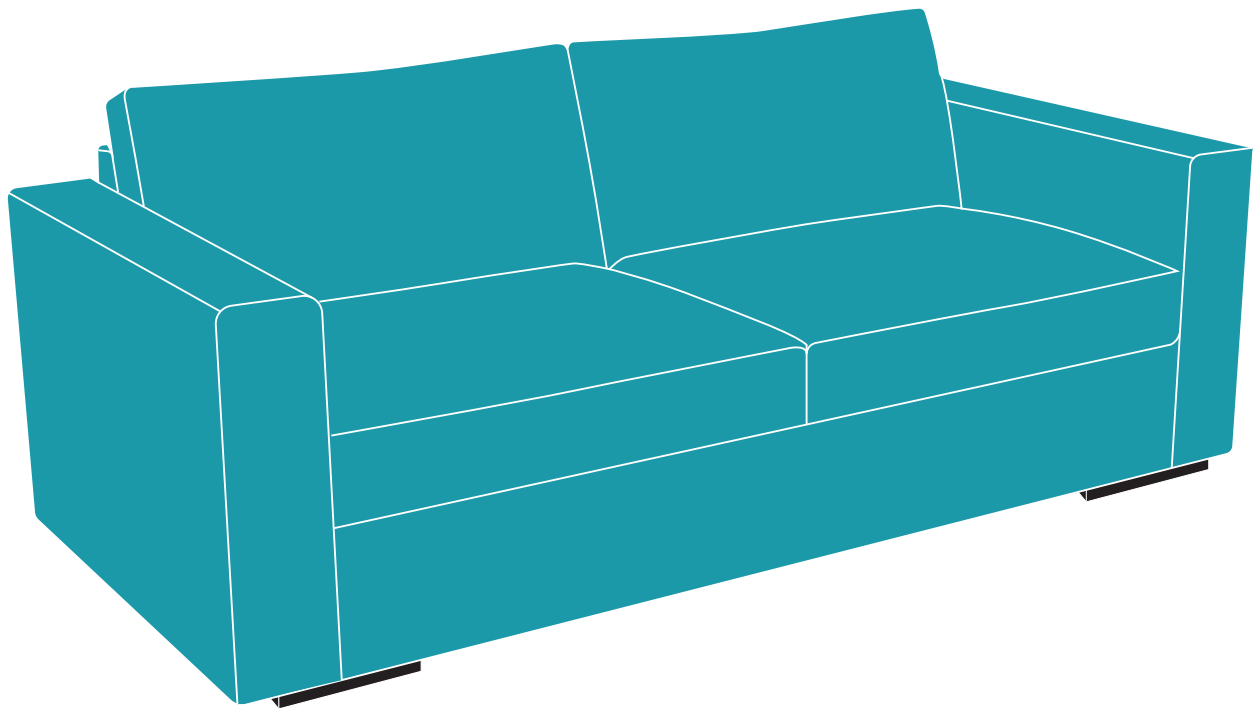
- a.** Remove Cushions and Back Pillows, and open Suspension Lid.
- b.** With Suspension Lid open, hold teal switch at the top of the thick end of Slow-Close Mechanism to the right and pull to release.
- c.** Repeat Step **b** on thin end of Slow-Close Mechanism.



STEP 7 Place Seat Cushions & Back Pillows

7.1 Complete EverCouch Setup

- a. Place Seat Cushions on Suspension Lid, followed by Back Pillows. Sit back and enjoy your EverCouch!



Need help?

Contact our Customer Love team

1-888-636-1223

Support@lovesac.com

www.lovesac.com

LOVESAC[®]
Designed for Life Furniture Co.